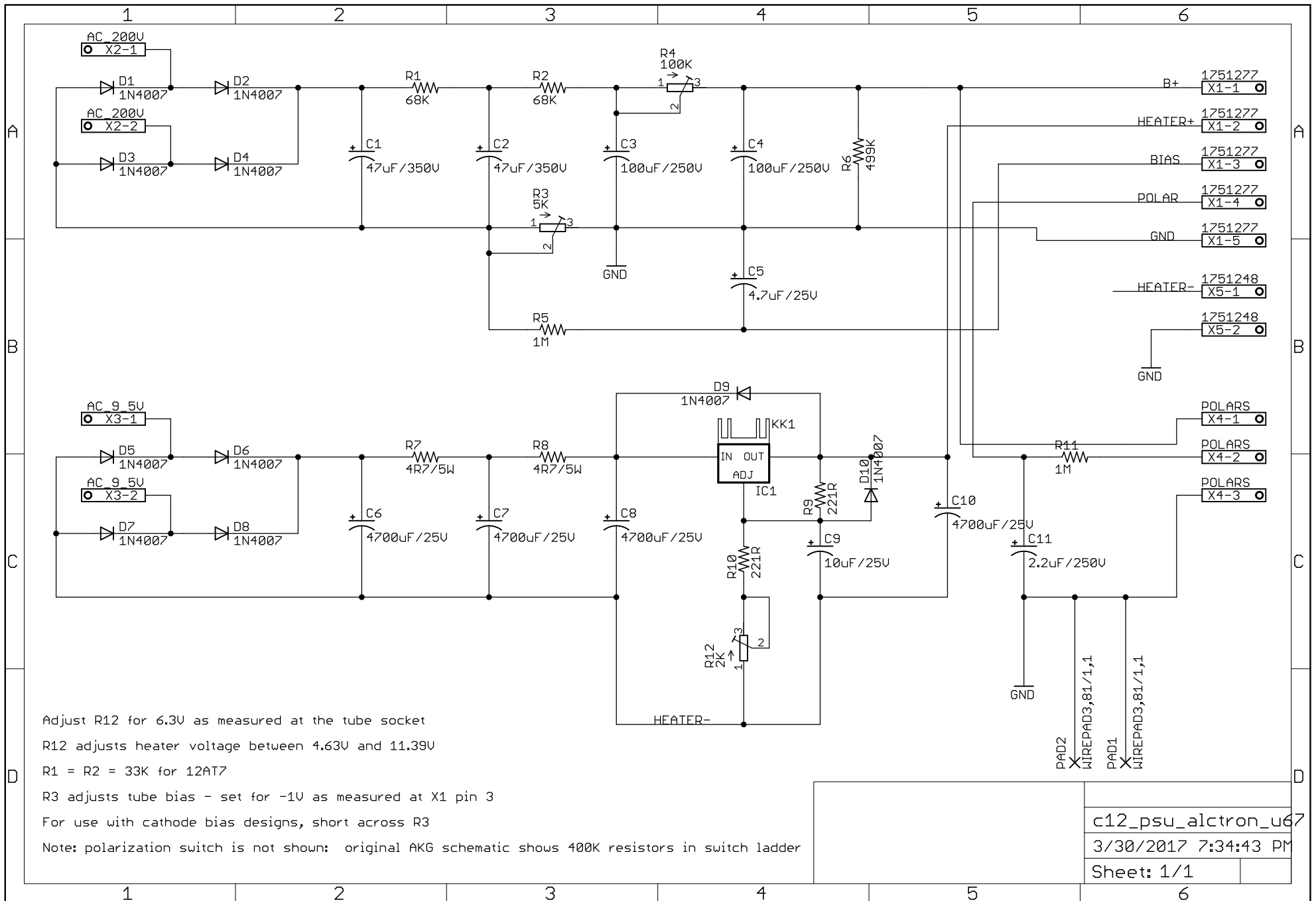


c12_v3
 2/19/2013 12:06:37 PM
 Sheet: 1/1



Adjust R12 for 6.3V as measured at the tube socket

R12 adjusts heater voltage between 4.63V and 11.39V

R1 = R2 = 33K for 12AT7

R3 adjusts tube bias - set for -1V as measured at X1 pin 3

For use with cathode bias designs, short across R3

Note: polarization switch is not shown: original AKG schematic shows 400K resistors in switch ladder